



Even Cares for Your Eyes  
Dental LED Light  
**Luvis-C**





▲ Luvis-C200



Luvis-C300 ▲



Luvis-C400 ▲

- ☐ 30,000Lux Intensity
- ☐ 4,800K Color Temperature
- ☐ 92 Ra of Highest Level of CRI
- ☐ **Oval Focal Pattern**
- ☐ 15x8cm of Focal Size
- ☐ Excellent Scialytic Effect
- ☐ 65% of Uniformity (d50/d10)
- ☐ Intuitive Intensity Control – Easy ON/OFF Function
- ☐ 3axis Head Movement
- ☐ **DENTIS Patient Reflector Adopted**
- ☐ No UV Emission
- ☐ **Detachable& Autoclavable Handles**
- ☐ Various Installation Option – Chair, Ceiling, Wall, Floor

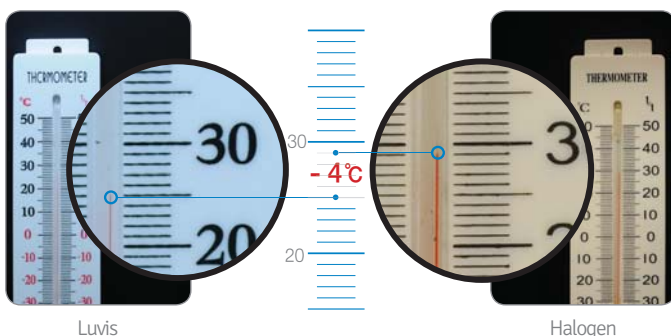
- ☐ 25,000~30,000Lux Intensity
- ☐ **4,600~5,000K Color Temperature**
- ☐ 85~90 Ra of Highest Level of CRI
- ☐ **Oval Focal Pattern**
- ☐ 15x9cm of Focal Size
- ☐ Excellent Scialytic Effect
- ☐ 75% of Uniformity (d50/d10)
- ☐ Intuitive Intensity Control – Easy ON/OFF Function
- ☐ 3axis Head Movement
- ☐ **DENTIS Patient Reflector Adopted**
- ☐ No UV Emission
- ☐ **Detachable& Autoclavable Handles**
- ☐ Various Installation Option – Chair, Ceiling, Wall, Floor

## Dental Light

## Luvis-C Series

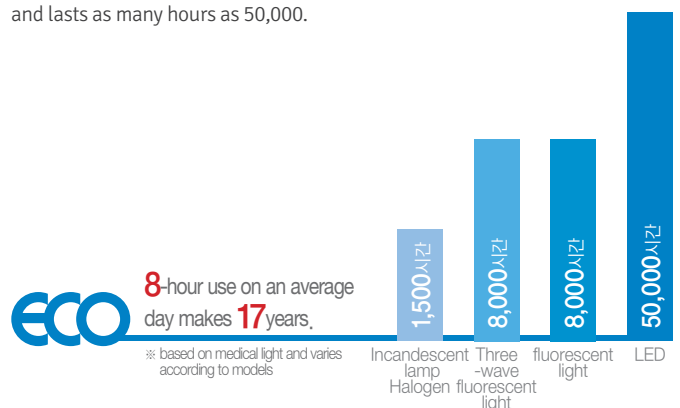
### Cool Light

In comparison with halogen, Luvis LED emits much less heat to create safe treatment environment, minimizing heat transfer to treatment region and blood coagulation on dermal tissues.



### Ecological Light

Luvis LED consumes only one-fifth of power which used in halogen and lasts as many hours as 50,000.





▲ Luvis-C100



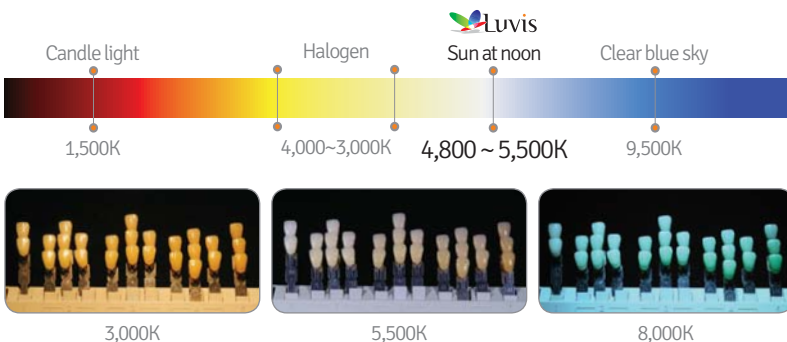
Luvis-C210 ▲

- ☐ 17,000Lux Intensity
- ☐ **5,500K Color Temperature**
- ☐ **95 Ra of Highest Level of CRI**
- ☐ **Highest Level of R9 (90)**
- ☐ 13x7cm of Focal Size
- ☐ Excellent Scalytic Effect
- ☐ **85% of Uniformity (d50/d10)**
- ☐ Intuitive Intensity Control – Easy ON/OFF Function
- ☐ 3axis Head Movement
- ☐ No UV Emission
- ☐ Various Installation Option – Chair, Ceiling, Wall, Floor

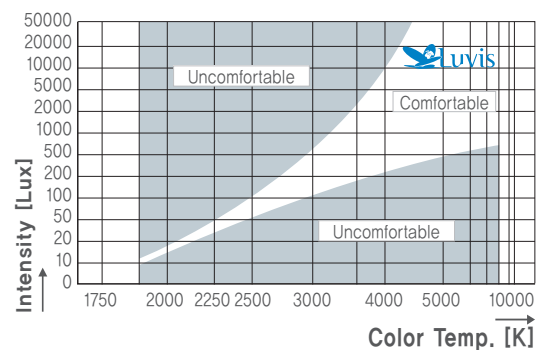
- ☐ 20,000Lux Intensity
- ☐ 5,000K Color Temperature
- ☐ **95 Ra of Highest Level of CRI**
- ☐ **Highest Level of R9 (90)**
- ☐ **DENTIS Patient Rectangle Focal Pattern**
- ☐ 13x7cm of Focal Size
- ☐ Excellent Scalytic Effect
- ☐ **85% of Uniformity (d50/d10)**
- ☐ Intuitive Intensity Control – Easy ON/OFF Function
- ☐ 3axis Head Movement
- ☐ No UV Emission
- ☐ **Detachable& Autoclavable Handles**
- ☐ Various Installation Option – Chair, Ceiling, Wall, Floor

## Natural&Comfortable Light

Luvis provides daylight-like light, seen at noon, creating high color temperature at the same light intensity. Nonetheless, much less dazzling helps users to concentrate on surgery, minimizing eye fatigue.



Given that comfort light should consider the balance between intensity(brightness) and color temperature, users easily know the merit of Luvis as it allows to control both index.



# Performance Description

## High Color Rendering Index (CRI)

Luvis suggests high CRI of Ra 90 which may realize more clear and nature-like color. It helps to reduce the eye fatigue compared to higher brightness with low CRI.



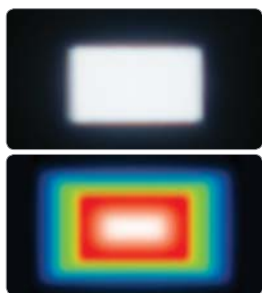
Luvis



Lower CRI

## Focal Pattern for Dental Clinic [C100][C210]

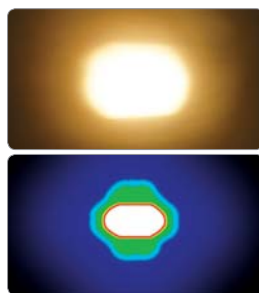
The highest level of uniformed focus ( $d50/d10 \geq 90\%$ ) delivers stable intensity and quality light to focal side. Compare to same size of oval focus it promises more wider effective zone.



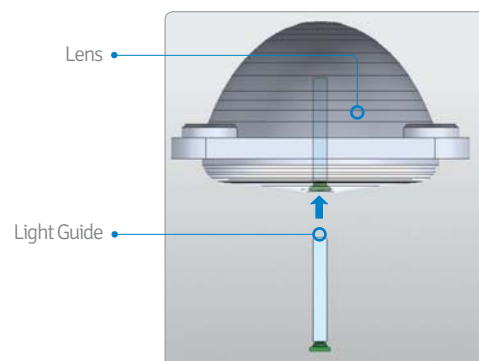
Rectangle  
(Luvis-C100/210)



Lack of Uniformity  
(The Other LED Lights)



Unevenness  
(Halogen Light)



## Detachable Handgrip [C200][C210][C300][C400]

It can be used inside an autoclave without damage



Luvis-C210



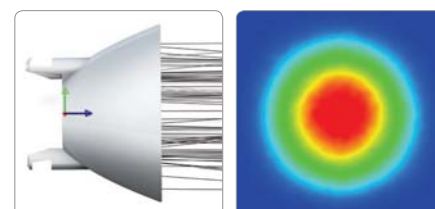
Luvis-C300,C400

## Hybrid LED Reflector [C200][C300][C400]

Thanks to the multiple facet shaped, Luvis Reflector can offers quality light field.

The technology centralizing the spreading light beam from LED source deliver highest level of uniformity.

※ uniformity 75% ( $d50/d10$ )





# Installation & Movement



▲ Luvis-C100



▲ Luvis-C200

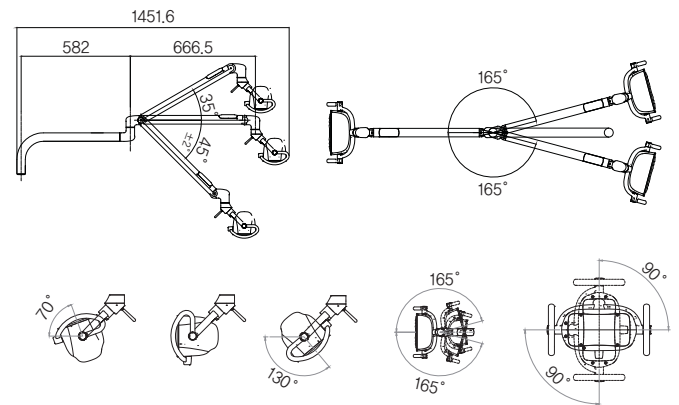
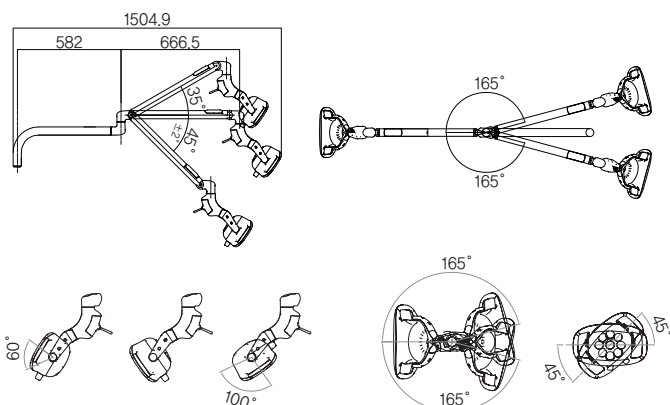


▲ Luvis-C210

## Luvis-C100



## Luvis-C200/210



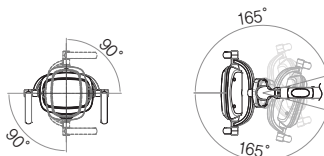
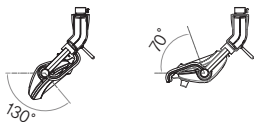
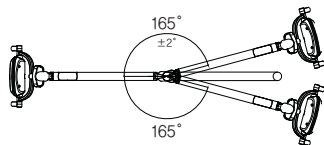
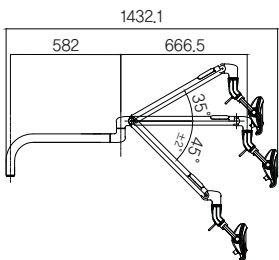
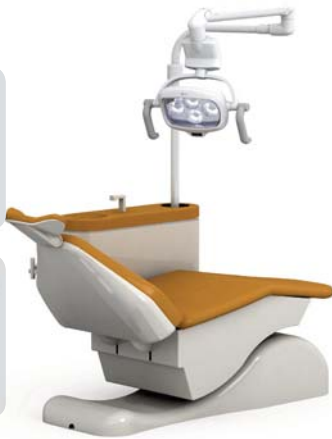


▲ Luvis-C300



▲ Luvis-C400

## Luvis-C300/400



## Various Installation Option

(Chair, Ceiling, Wall, Floor)



Ceiling Option



Wall Option



Floor Option

# Technical Specification

Classification		C100	C200	C210	C300 / C400		
Optical	Light Intensity	Max. (Lux)	17,000	30,000	20,000	30,000	25,000
	Intensity Control	Type	Dial	Dial	Dial	Dial & Sensor	Dial & Sensor
	Illuminating Method		Direct	Reflector	Direct	Reflector	Reflector
	Color Temperature	Max. (K)	5,500	4,800	5,000	4,600	5,000
		Control Type	Default	Default	Default	Default	Default
		Reflector	No	Adopted	No	Adopted	Adopted
	CRI	Ra	95	92	95	85	90
		R9	90	Min. 60	90	Min. 20	Min. 50
	Uniformity	d50/d10 (%)	85	65	85	75	75
	Focal Distance	(cm)	65-70	70	65-70	70	70
Focal Pattern	Shape	Square	Oval	Square	Oval	Oval	
	Size (cm)	13x7	15x8	13x7	15x9	15x9	
Merchnical	Head Size	(cm)	29.5 X 17.5	30 X 15.5	30 X 15.5	32.6 X 22	32.6 X 22
	Detachable Grip (Sterilisable)	(pcs)	No	2 (Left & Right)			
	Installation Option		Chair / Ceiling / Wall / Floor				
Electrical	Number of LEDs (units)		5	6	6	4	4
	Power (W)		12	14	14	14	14
			10-18Vac, 50/60Hz	90-245Vac (or) 10-18Vac, 50/60Hz			



Manufacturer  
**DENTIS Co., LTD**



DENTIS is a company specialized in medical devices that started from dental implants and provides professional medical devices, equipment and service such as medical LED Light. LUVIS is flagship brand of DENTIS.

In 2011, Medical LED Lighting industry relied on imports. However, DENTIS successfully localized dental LED Lights for the first time in Korea. In 2012, launching medical LED Lights, DENTIS has been supplying LED Lights to diversified medical field such as plastic surgery, dermatology, obstetrics and gynecology, ophthalmology as well as dental.

With strong power on engineering and Quality Control System, all of LED lighting products are being provided as high quality products in the domestic market and will lead the global medical market.

Ultimate goal of Luvis is providing optimal environment that protects the doctor's eyes and patient's health at the same time by utilizing high CRI technology. As providing optimal environment, DENTIS is not going to neglect to get customer's needs, and we promise to do our best to deliver valuable products and service to our client with all of our wisdom and passion.



**Head Office**

99, Seongseoseo-ro, Dalseo-gu, Daegu, Korea Tel 053-582-2804 / Fax 053-583-2806

**Seoul Office**

286, Beotkot-ro, Geumcheon-gu, Seoul, Korea

**Overseas Branch**

U.S.A +1-323-677-4363~5 Taiwan +886-2-2808-5933

©2015 DENTIS CO.,LTD. All Right Reserved.

Trademarks are the property of DENTIS CO., LTD. Or their respective owners.  
Specifications are subject to change without notice.